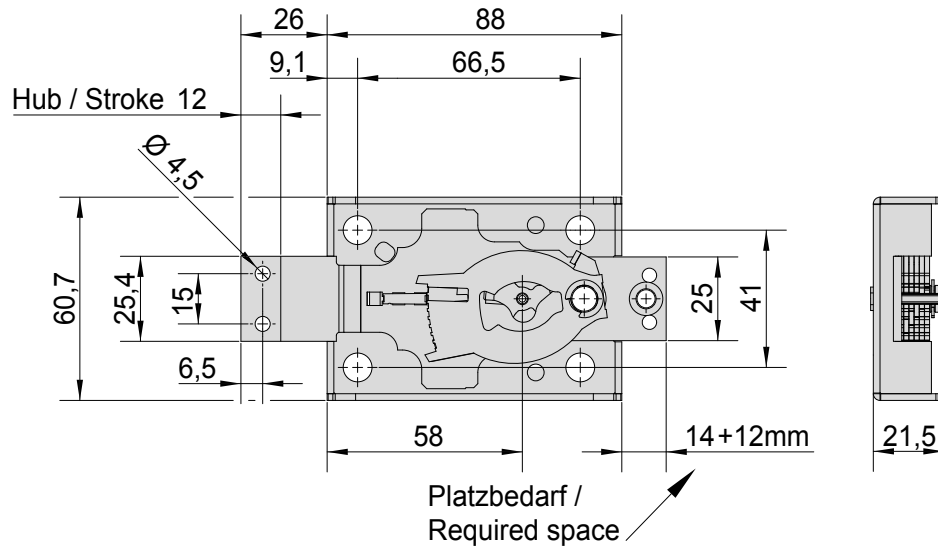
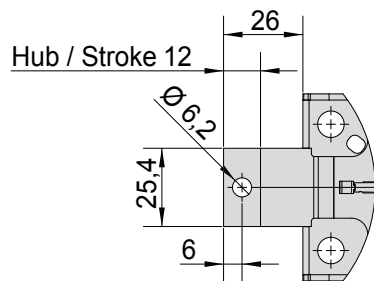


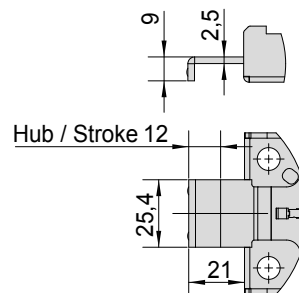
Schlossbasis / Basic lock 2608-01



Schlossbasis / Basic lock 2608-02



Schlossbasis / Basic lock 2608-03



Schlossbasis / Basic lock 2608-04

