

The Stirling range is a compact high performance single-point, surface mounted locking system, tested and certified to multiple international standards against forced entry, blast, ballistic and fire protection. Stirling has been engineered to provide multiple entry & exit methods, making the range incredibly versatile and suitable for most applications.

Entry includes single key operation to unlock and release, alternatively key or access control with lever handle, or complete hands-free motorised remote operation. A choice of controlled, or life-safety panic/emergency exit is available to meet a wide range of egress requirements. Manufactured in 316 stainless steel for hostile environments and durability.



FEATURES

- Surface mounted for maximum strength
- 19 mm (3/4") square bolt x 25 mm (1") throw
- 316 grade stainless steel construction for hostile environments and durability
- Proven rack & pinion driven
- Cycle tested to over 1,000,000 cycles
- To suit rim and euro-profile cylinders (order cylinder separately)
- Steel template provides for fast installation

BENEFITS

- Choice of securing upon door closure (automatic or manual)
- Certified to a range of international standards (see Product Performance Chart)
- Engineered for longevity and trouble-free service
- Provides a wide selection of operational functionality
- Easy retrofit, to upgrade existing doors

OPTIONAL ENHANCEMENTS

- Monitoring of bolt & lock status
- Request to Exit (REX)
- External key entry with no lever handle required
- External key override in case of power failure (order cylinder separately to activate)
- Cylinder guard protection available from our tested and accredited range
- Breakdome over thumbturn and lever handle to control exit
- Sandwich through-bolt fixing kits for easier retro-fit installation
- Bolt-through loadplate for cylinder guard installation

PRODUCT PERFORMANCE CHART

Indicates product has been certified, or tested & approved as part of a complete doorset assembly. Product certification is subject to the chosen lock configuration, for full details please contact the sales office.



LPCB LPS 1175										FEBR	EN 1627	STS 202	PAS 24	SRB	SAFETY	BALLISTIC EN 1522	BLAST ISO 16933	FIRE	CORROSION	SEISMIC TESTED	CYCLES							
ISSUE 8								ISSUE 7																				
TIME	TOOLS								SR 1-8	RC6	BR3	PAS 24	SRB	EN 1125	FB7	EXV 25	UL 10C	EN 1670:GR5	SEISMIC TESTED	1 MILLION								
	A	B	C	D	E	F	G	H																				
20 MIN									UP TO SR4	60 MINS	RC6	BR3	PAS 24	SRB	EN 1125	FB7	EXV 25	UL 10C	EN 1670:GR5	SEISMIC TESTED	1 MILLION							
15 MIN								45 MINS		RC4	BR2	EN 179			FB6													
10 MIN	A10	B10	C10	D10				30 MINS		RC3	BR2	UL 305			FB5	EXV 15						CERTIFIRE	EN 1634-1	EN 1670:GR4	EN 1670:GR3	SEISMIC TESTED	500K	
5 MIN								15 MINS		RC2	BR1				FB4													EN 1670:GR2
3 MIN								5 MINS		RC1	BR1				FB3													EN 1670:GR1
1 MIN																												

ENTRY FUNCTION (OPTIONS)

- KEY DRIVEN** Key to unlock & release
- KEY & LEVER HANDLE** Key to unlock & lever handle to release
- ACCESS CONTROL** Access control to unlock & lever handle to release
- MOTORISED** Single remote activation to unlock & release
- LOCKABLE OPERATOR** External key lockable lever handle/hasp for panic exits



KEY & LEVER HANDLE

EXIT FUNCTION (OPTIONS)

- PANIC BAR** Life-safety panic exit
- EMERGENCY – PUSH PAD** Single operation exit
- EMERGENCY – LEVER HANDLE** Single operation exit
- KEY & LEVER HANDLE** Key to unlock & lever handle to release
- THUMBTURN & LEVER HANDLE** Thumbturn to unlock & lever handle to release
- BREAK DOME & LEVER HANDLE** Break dome & thumbturn to unlock & lever handle to release
- ACCESS CONTROL & LEVER HANDLE** Access control to unlock & lever handle to release
- MOTORISED** Single remote activation to unlock & release



MOTORISED

LOCK FUNCTION (OPTIONS)

- AUTO DEADLOCKING** Automatic deadlocking upon door closure (Storeroom function)
- MANUAL DEADLOCKING** Manual deadlocking upon door closure (Classroom function)
- NO DEADLOCKING** Panic & emergency exit only



PANIC & EMERGENCY EXIT

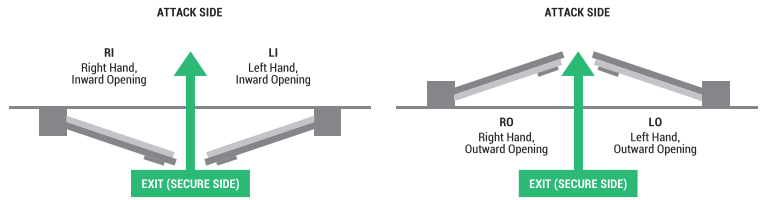
BOLT FUNCTION (OPTIONS)

- AUTO BOLTING** Automatic bolting upon door closure

SELF CODING SYSTEM

The Stirling (ST) has a structured ordering code that covers the chosen methods of entry, exit and securing, followed by the mounting and orientation codes, additional enhancements can be added to further customise the device.

EXAMPLE ORDER CODE: ST1A-AMLS-AA-LMLS



PRODUCT		ENTRY		SECURING		EXIT					
RANGE	BOLTS	UNLOCKING		UPON DOOR CLOSURE		UNLOCKING					
ST	Stirling	1	X	None	AA	Auto bolting / Auto deadlocking	X	None			
BOLT DIRECTION		K	Key		AM	Auto bolting / Manual deadlocking	K	Key			
A	Horizontal bolt		A	Access control		AB	Auto bolting only	A	Access control		
		BOLT RETRACTION						T	Thumbturn		
		X	None						L	Single Handed / Panic - Emergency	
		M	Manual						BOLT RETRACTION		
		P	Powered (Electric)						X	None	
		OPERATOR								M	Manual
		XX	None						P	Powered (Electric)	
		LS	Lever handle (Tubular straight)						OPERATOR		
		US	Profile lever handle (Straight)						LS	Lever handle (Tubular straight)	
		KK	Key						US	Profile lever handle (Straight)	
										PB	Panic bar (Blade aluminium)
										PP	Push pad
										PE	Panic bar (Tubular st/st)

EXAMPLE BOLT DIRECTIONS See coding chart above for reference

EXAMPLE ENTRY/EXIT DIRECTIONS See coding chart above for reference

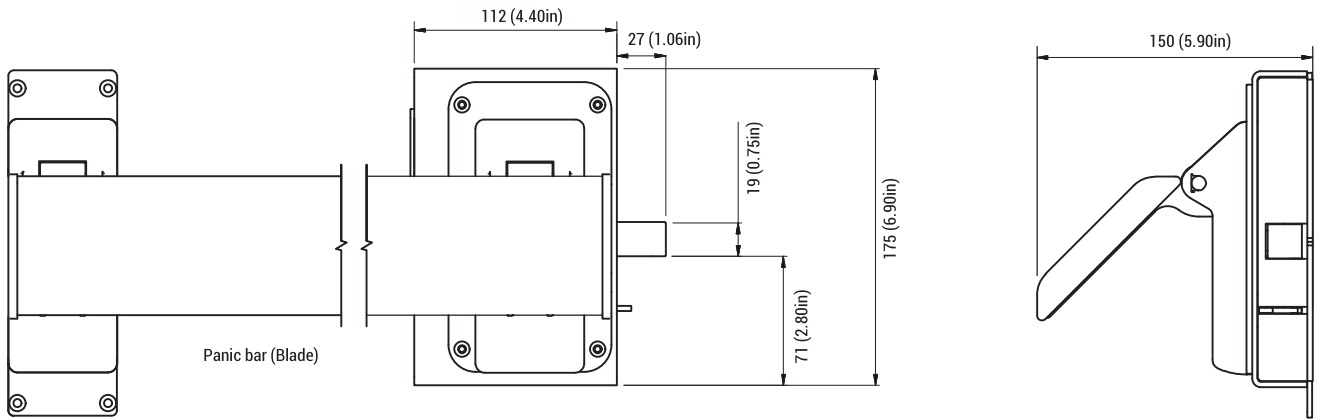
For further ENTRY and EXIT methods & a full range of enhancements please contact our sales office.

STIRLING ACCESS CONTROL & MOTORISED POWER CONSUMPTION

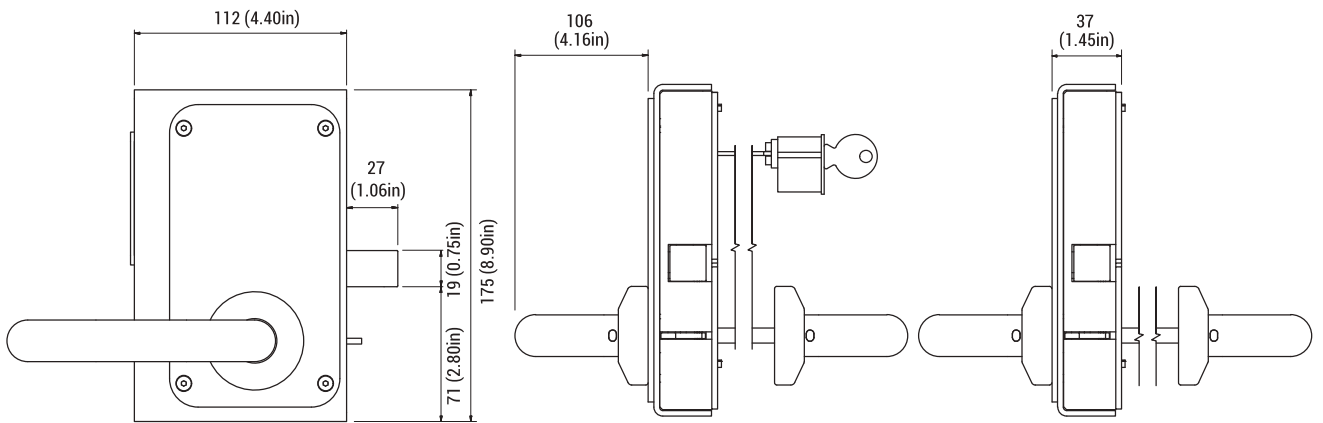
VOLTAGE	POWER CONSUMPTION PER SOLENOID	CURRENT DRAW PER SOLENOID	RECOMMENDED POWER SUPPLY
12 V	7 W	0.6 A	12 V 1.0 A
24 V	7 W	0.3 A	24 V 0.5 A

VOLTAGE	POWER CONSUMPTION PER MOTOR	CURRENT DRAW PER MOTOR	RECOMMENDED POWER SUPPLY
24 V	48 W	2 A	24 V 2 A (110V to 240V ac) Power supply provided with lock

STIRLING TECHNICAL DRAWINGS

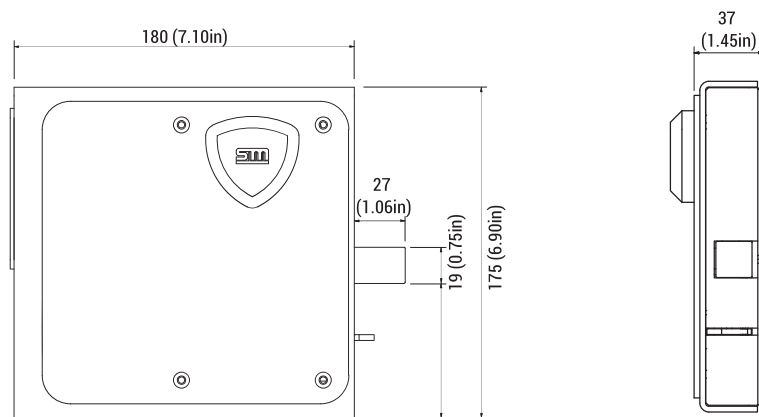


STIRLING PANIC & EMERGENCY EXIT



STIRLING KEY DRIVEN

STIRLING KEY / ACCESS CONTROL & LEVER HANDLE



STIRLING MOTORISED