



SURELOCK MCGILL  
ACCESS AND EXIT PROTECTION



**LODDON**

The Loddon is a single point high performance rim deadlock.

It's stainless steel construction makes it suitable for a variety of hazardous environments. The bolt-through fixing of the lock significantly improves on-site security because the bolts pass from the internal side of the door to the external side of the door. Moreover the external stainless steel escutcheon plate provides an aesthetic cover over previous cylinder holes.

The Loddon is compatible with standard rim style cylinders from leading manufacturers and require ordering separately to meet customer's specific choice and any suiting requirements.



## OPERATIONS

**Entry** - External mechanical key is used to release the deadlock function and retract the singular bolt. Upon door closure the bolts will automatically engage and deadlock lock.

**Exit** - A single handed means of exit is provided by a stainless steel pull lever.

## FEATURES

- Surface mounted for maximum strength
- Automatic securing upon door closure
- 25mm throw stainless steel bolt
- Tested to over 1,000,000 cycles

## BENEFITS

- The Loddon is supplied as standard, with a keep for inward opening doors
- Engineered for longevity and trouble free service
- Automatic relocking
- Door securely locked when in closed position
- Easy/convenient to stock



Above performance results are based on independent third party testing or assessment on selected doorsets



### ENTRY METHODS:



Key & Cylinder

### EXIT METHODS:

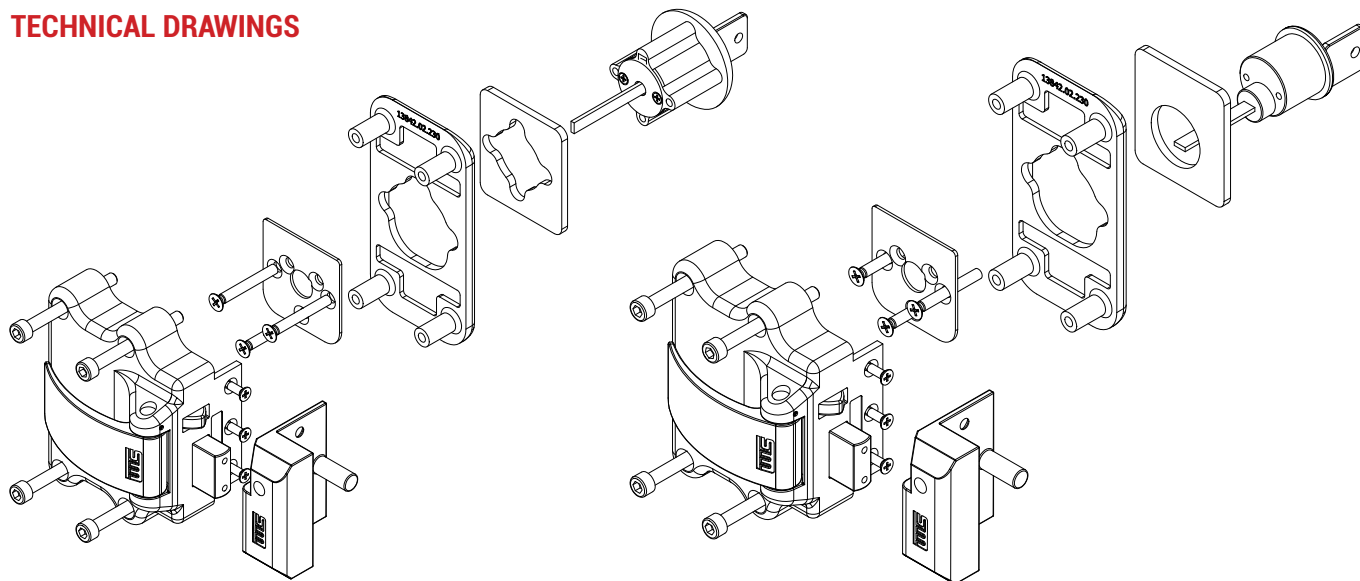


Latch



Straight Lever

## TECHNICAL DRAWINGS



## SELF-CODING SYSTEM

The Loddon (LD) modular devices have a simple ordering code that covers the chosen methods of entry and exit, followed by additional enhancements to further customise the device.

The device is easy to specify:

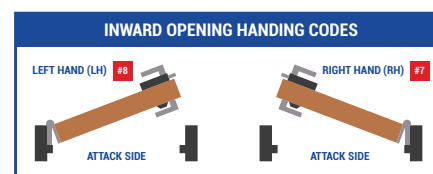
**Step 1. Bolt configuration**

**Step 2. Choose the required entry code**

**Step 3. Choose the required exit code**

**Step 4. Select handing and opening direction**

**Step 5. Select enhancements to customise and suit specific requirements**



Example system code:

LD 1 1 5 - 0<sub>5</sub>

The code specifies a Loddon high security key-entry rim deadlock, key entry and pull-lever free exit at all times, complete with inward opening keep, sandwich plate fixing arrangement and Medeco m3-ARX rim cylinder (option '05'). SM17n & SM17d Loddon packages come complete with cylinder housing guard and sandwich plate through fixing, simply requiring the choice of cylinder to be ordered separately by appending the appropriate cylinder option code (as listed above).

STEP 1	STEP 2	STEP 3	STEP 4	STEP 5
Number of bolts	Entry	Exit	Handing	Enhancements
1 Centre bolt	1 Key	5 Emergency exit lever	<b>1st Digit</b> 0 Surface Fitted <b>2nd Digit</b> 0 Non-handed	Customise to suit specific requirements (eg. as example system code shown below) 0 <sub>5</sub> Cylinder - Medeco m3-ARX (registered)

## LODDON - ENHANCEMENTS AVAILABLE

CODE	ENHANCEMENT
-N	Electric monitoring of the lock status
-00	Cylinder - supplied by customer, free-issue (approved types only)
-01	Cylinder - Kaba-20 (registered)
-02	Cylinder - Assa Twin Combi 5800 - (choice for registration)
-05	Cylinder - Medeco m3-ARX (registered)
-09	Cylinder - Abloy Disklock Pro (registered, gold level)
-010	Cylinder - Kaba Quattro S (registered)
-034	Cylinder - Surelock McGill
-091	Cylinder - Abloy Protec (registered, diamond level)



**Surelock McGill (Head Office)**  
**26 The Business Centre**  
**Molly Millars Lane**  
**Wokingham**  
**Berkshire**  
**RG41 2QY**

**Tel: +44 (0) 118 977 2525**

**Fax: +44 (0) 118 977 1913**

**Web: [www.surelockmcgill.com](http://www.surelockmcgill.com)**

**Email: [sales@surelockmcgill.com](mailto:sales@surelockmcgill.com)**



Assessed to ISO 9001:2008  
LPCB Cert No. 516-1



SECURING THE PEOPLE  
WHO SECURE THE COUNTRY